

Lavatory Ensemble Model K190A_003

FEATURES

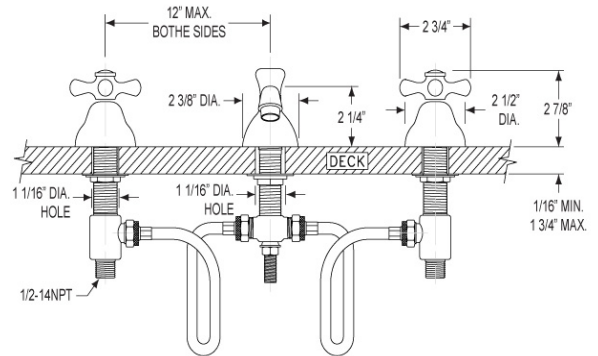
- Style: Revival Grandeur
- Collection: Marquis & Jamestown
- Temperature controlled by handles
- 1-1/16" (27mm) hole size for spout
- 1-1/16" (27mm) hole size for valves
- 12" (305mm) maximum centers
- Pop-up drain with lift rod and tailpiece
- 1.5 gpm @ 60 psi



COLOR FINISHES

- Polished Nickel (K190A_014)
- Satin Nickel (K190A_015)
- Pewter (K190A_15A)
- Polished Chrome (K190A_026)
- Polished Brass (K190A_003)
- Polished Brass Antiqued (K190A_007)
- Satin Brass (K190A_004)
- Polished Gold (K190A_025)
- Polished Gold Antiqued (K190A_25D)
- Satin Gold (K190A_024)
- Satin Gold Antiqued (K190A_24D)
- Satin Jeweler's Gold (K190A_24J)
- Old English Brass (K190A_OEB)
- Antique Brass (K190A_047)
- Antique Bronze (K190A_11B)

Image shown may not be in the finish selected



WARRANTY

- Limited Lifetime

COMPLIES WITH

- CA AB 1953-CERTIFIED
- ANSI/NSF61-CERTIFIED
- A112.18.1-05/CSA B125.1-2005-CERTIFIED
- cUPC-CERTIFIED
- UPC-CERTIFIED
- EPA WaterSense-CERTIFIED
- VT S152

